

# AURORALIGHT

PROJECT: \_\_\_\_\_

SKU #: \_\_\_\_\_

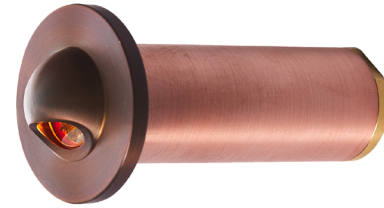
TYPE: \_\_\_\_\_

## MERIDIAN

STW008102

The Meridian offers excellent illumination of walkways and steps in a small, rugged design. The graceful appearance of the eyelid effectively shields against glare.

- Dual listed for interior and exterior wet location use
- Thermally Integrated® w/ Copper Core Technology®
- Cree LED™ XLAMP® (XP-L)
- Ideal for stairs, pathways and architecture



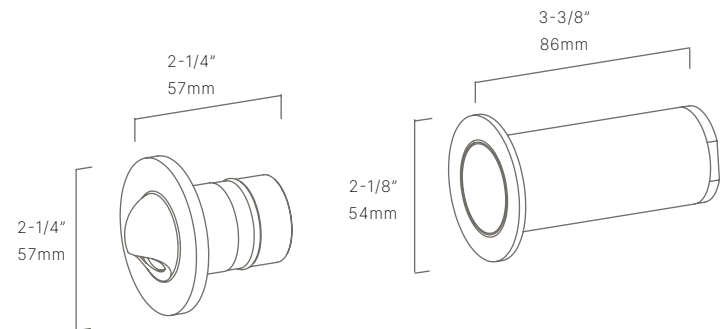
### CONFIGURATOR:

STW008102	LED	FINISH
	<input type="text"/>	<input type="text"/>
<b>( ) = Most common configuration</b>	<b>(2701) 2700K 1.25W</b> (3001) 3000K 1.25W	<b>(NAT) Natural Brass</b> (BLP) Bronze Living Patina (BLPX) Extra Dark BLP (NI) Nickel PVD

### AVAILABLE FINISHES:



FIXTURE DIMENSIONS	D2-1/4" x L2-1/4"
LIGHT SOURCE	Integrated LED
COLOR TEMPERATURES	2700K, 3000K
WATTAGES	1.25W
CRI (RA)	80 CRI
VOLTAGE	12V
DELIVERED LUMENS	123lm (3000K)
DIMMABLE	Yes, Dim to <10% via Transformer
DRIVER	Yes, 12V Integral Constant Current
TRANSFORMER	No, 12V AC/DC Transformer Required
MOUNT	Included Copper Can w/ Rear Entry
OPTICS	Yes, Included 15°, 25°, 40° & 60°
FINISH	Included Natural Brass
MATERIAL	Brass & Copper
WIRE LENGTH	24"
LOCATION	Interior & Exterior Wet
CERTIFICATIONS	UL, IP66, IP67, IC, Dark Sky



\*For complete warranty terms, please visit: [www.auroralight.com/warranty/](http://www.auroralight.com/warranty/)

P. 760.931.2910

O. 2742 Loker Ave. W Carlsbad CA 92010

W. [www.auroralight.com](http://www.auroralight.com)

MADE IN USA  
WITH DOMESTIC & IMPORTED MATERIALS



# AURORALIGHT

PROJECT: \_\_\_\_\_

SKU #: \_\_\_\_\_

TYPE: \_\_\_\_\_

## ADD-ONS

### MOUNTS

SCE008	Side Conduit Entry
CJB112206	Rear Conduit Entry w/ Flush Mount
MJB112401	Micro J-Box
MJB112501	Micro J-Box w/ Flush Mount

\*For complete details, please visit [auroralight.com/mounts/](http://auroralight.com/mounts/)

### MOUNTS



P. 760.931.2910

O. 2742 Loker Ave. W Carlsbad CA 92010

W. [www.auroralight.com](http://www.auroralight.com)

MADE IN USA  
WITH DOMESTIC & IMPORTED MATERIALS

